

Quality Solution For All Growers



Spray Tanks

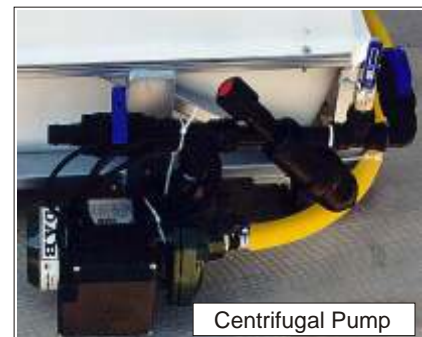
From ***K W Automation***



Simple Maintenance



- ▶ Built-in fluid level indicator.
- ▶ Durable sturdy longlife poly construction with powdercoated steel frame.
- ▶ Simple maintenance with basic easy to clean in-line filtration system.
- ▶ 240 volt spray pump.
- ▶ Agitation action to eliminate any settling of chemicals.

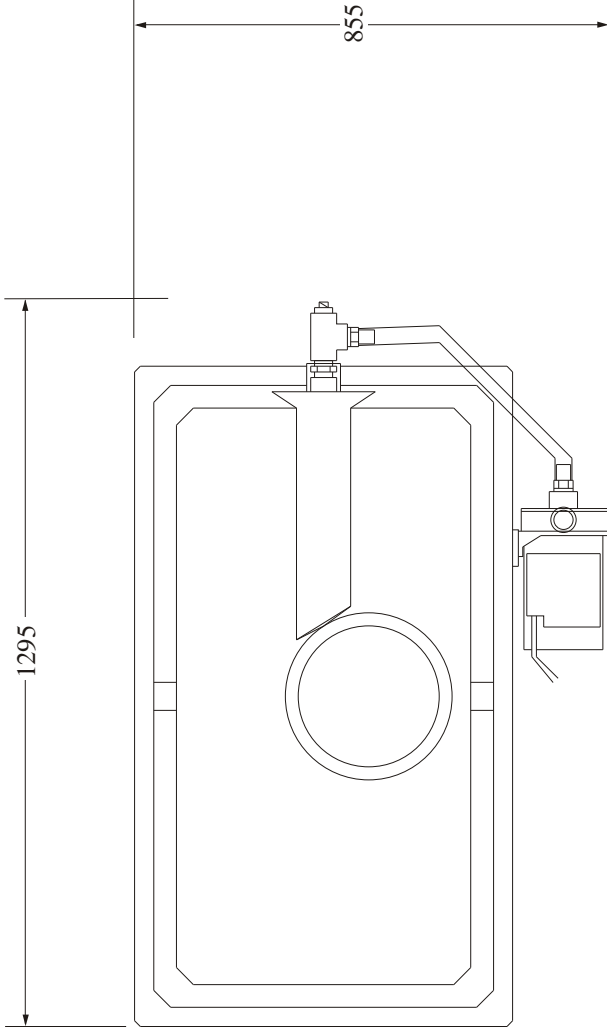


Manufactured By:

K W Automation

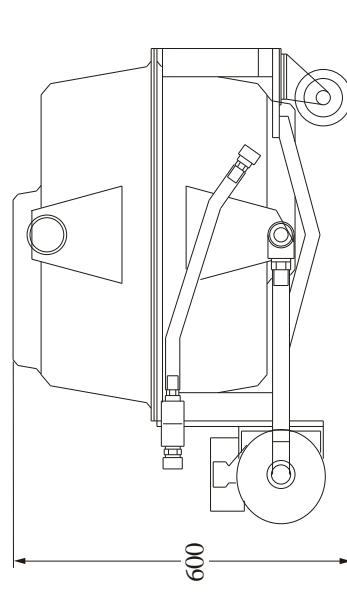
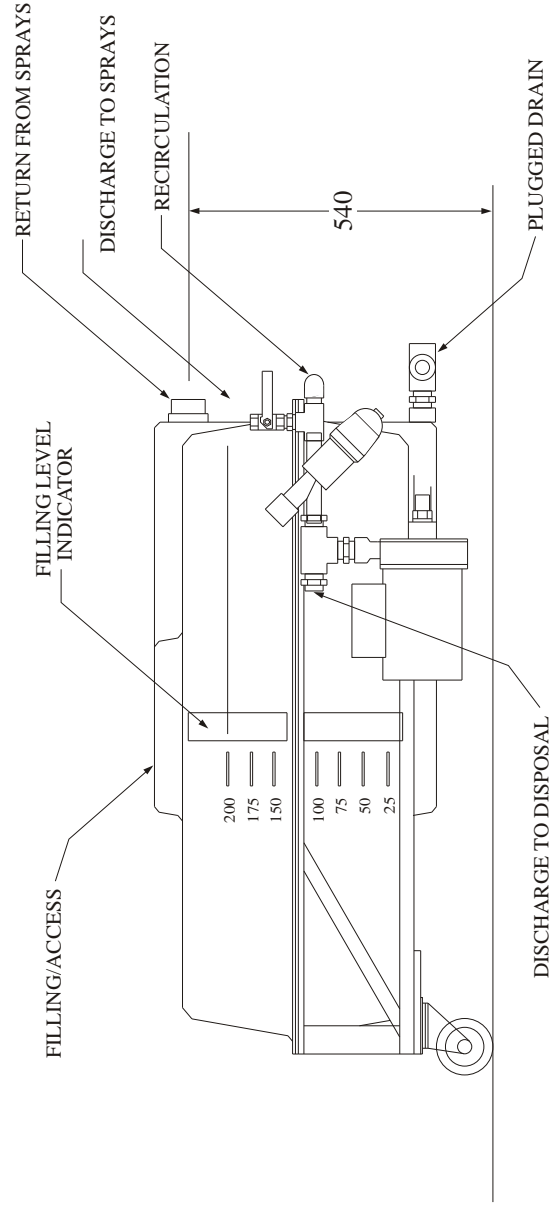
PO Box 121, Old Bowling Green Rd
Palmwoods, Queensland 4555 Australia
Int (61) - (07) 5445 9549 - Fax (07) 5445 0499
Web Site: www.kwautomation.com.au

"Plans Shown for 200 Litre Tank"



200 Litre Tank	Specifications
Capacity of Pump	.37kW(1/2 HP)
Power Supply Req'd	240V
Max. Delivery Pressure	2 Bar
Length	1.29 Metres
Width	.855 Metres
Height	.600 Metres

100 Litre Tank	Specifications
Capacity of Pump	.37kW(1/2 HP)
Power Supply Req'd	240V
Max. Delivery Pressure	2 Bar
Length	1.00 Metres
Width	.600 Metres
Height	.700 Metres



Please note all plans & specifications may change without further notice.